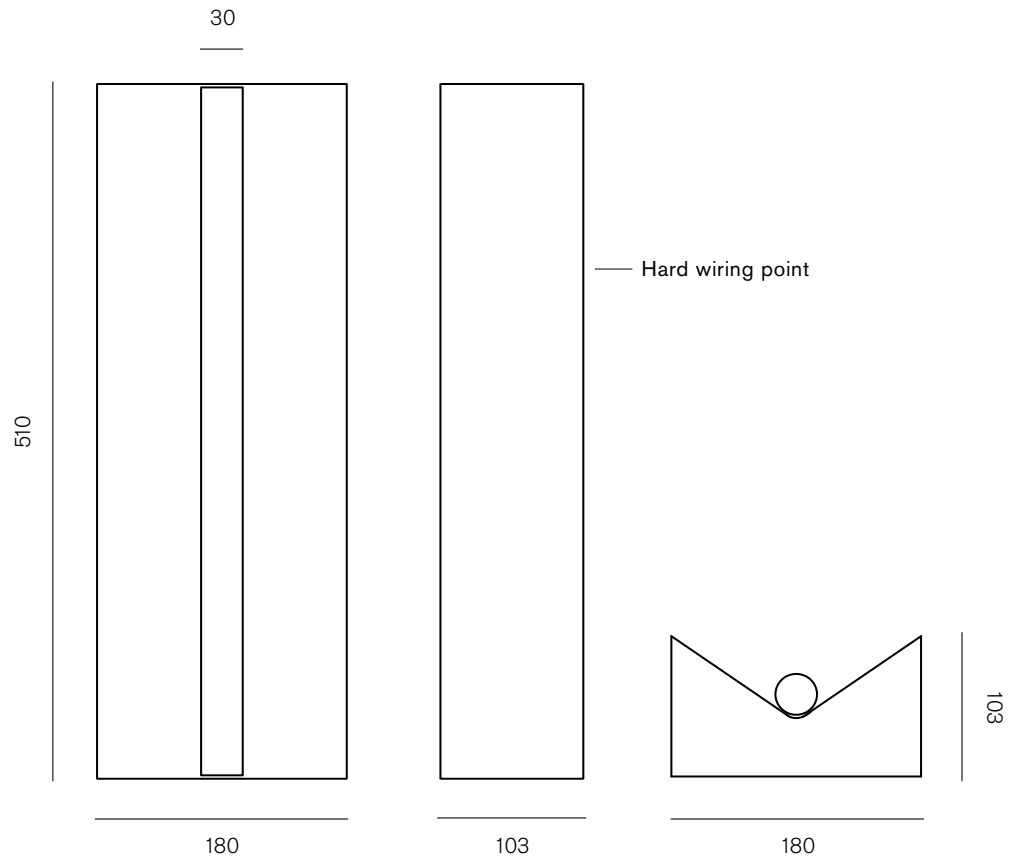


VOLKER HAUG Studio

ANTON series Data Sheet

Longton Aluminium / Gunmetal



Material: Cast Aluminium / Polished Gunmetal

Finish: Raw

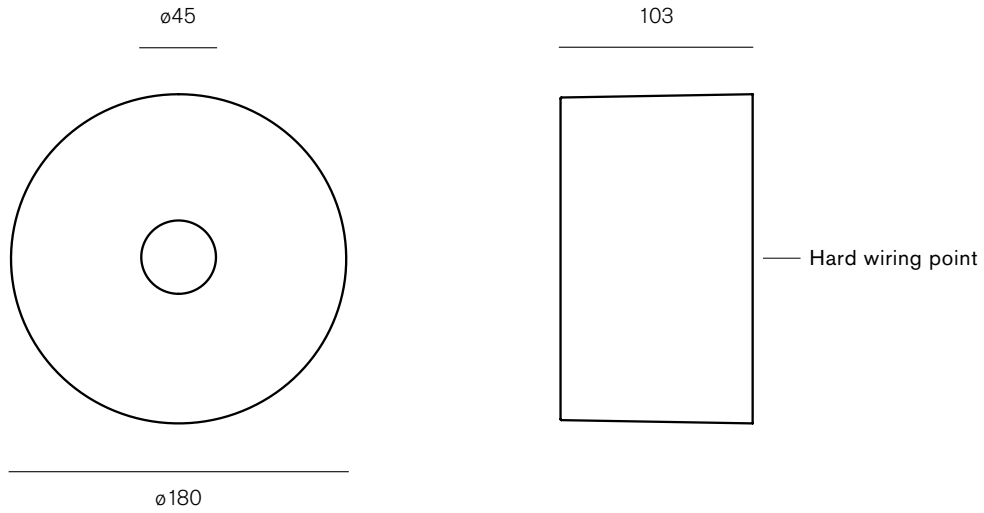
Lamp: 240V S14s - LED 9W, Opal

Weight: 4kg (Aluminium), 9kg (Gunmetal)

Each cast surface is unique and variations may occur.



Anton Aluminium / Gunmetal

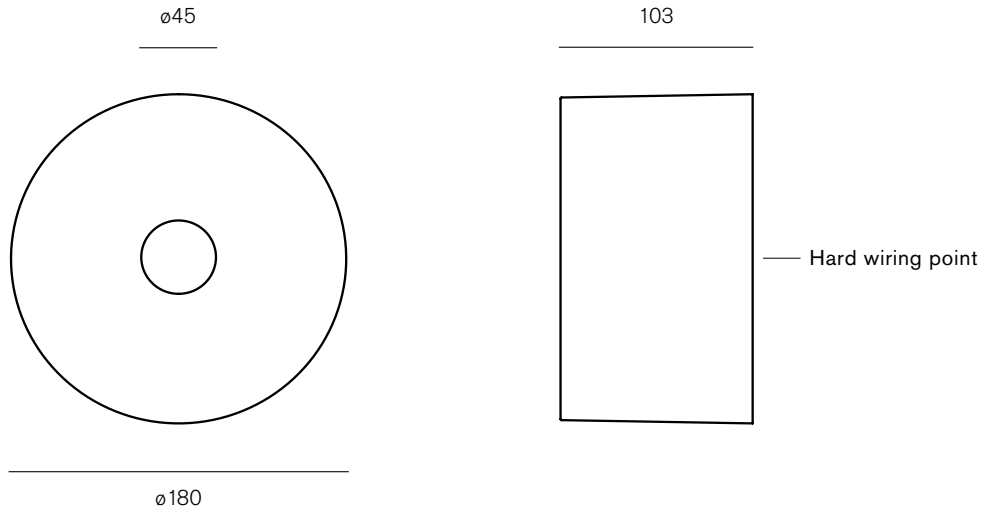


Material: Cast Aluminium / Polished Gunmetal
Finish: Raw
Lamp: G9 - LED or Halogen 240V (120V US)
Glass Bulb: 45mm ϕ , Frosted
Weight: 1.5kg (Aluminium), 4kg (Gunmetal)

Each cast surface is unique and variations may occur.



Anton Ceramic White / Brown

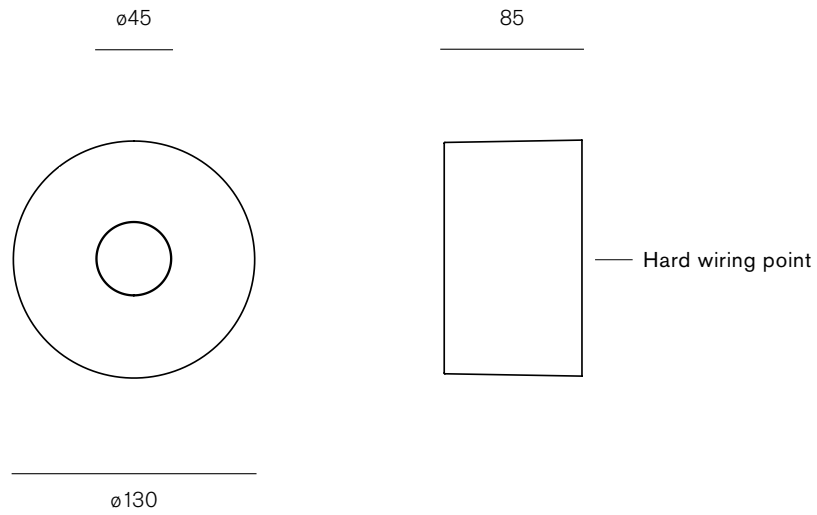


Material: Cast Ceramic
Finishes: Clear / Brown Glaze
Lamp: G9 - LED or Halogen 240V (120V US)
Glass Bulb: 45mm ϕ , Frosted
Weight: 1.5kg

Each cast surface is unique and variations may occur.



Anton Mini Aluminium / Gunmetal

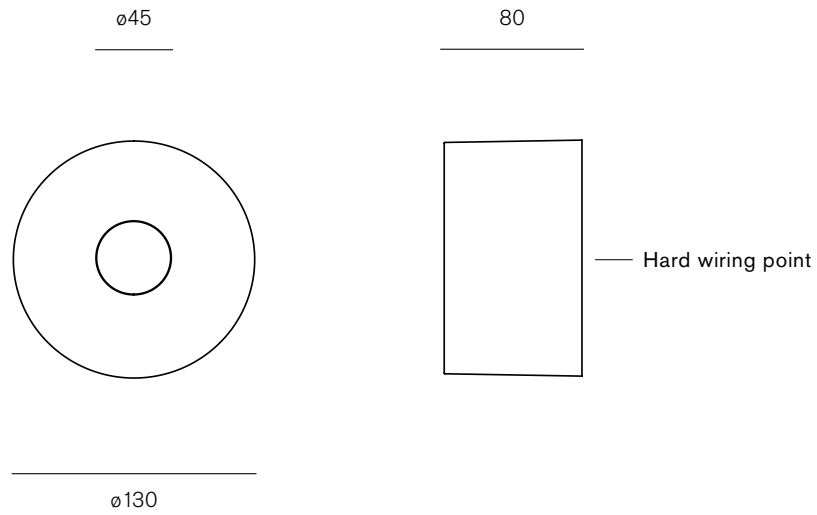


Material: Cast Aluminium / Polished Gunmetal
Finish: Raw
Lamp: G9 - LED or Halogen 240V (120V US)
Glass Bulb: 45mm ϕ , Frosted
Weight: 1kg (Aluminium), 2kg (Gunmetal)

Each cast surface is unique and variations may occur.



Anton Mini Ceramic White / Brown



Material: Cast Ceramic
Finishes: Clear / Brown Glaze
Lamp: G9 - LED or Halogen 240V (120V US)
Glass Bulb: 45mm ϕ , Frosted
Weight: 1 kg

Each cast surface is unique and variations may occur.





Lamps included. Full product range
in the Volker Haug Studio Catalogue.
Please contact studio for additional
information on custom lengths,
arrangements and finishes.

Volker Haug Studio
2-12 St Phillip Street
Brunswick East
Melbourne VIC 3057 Australia

Phone +61 3 9387 1803
Email info@volkerhaug.com
www.volkerhaug.com