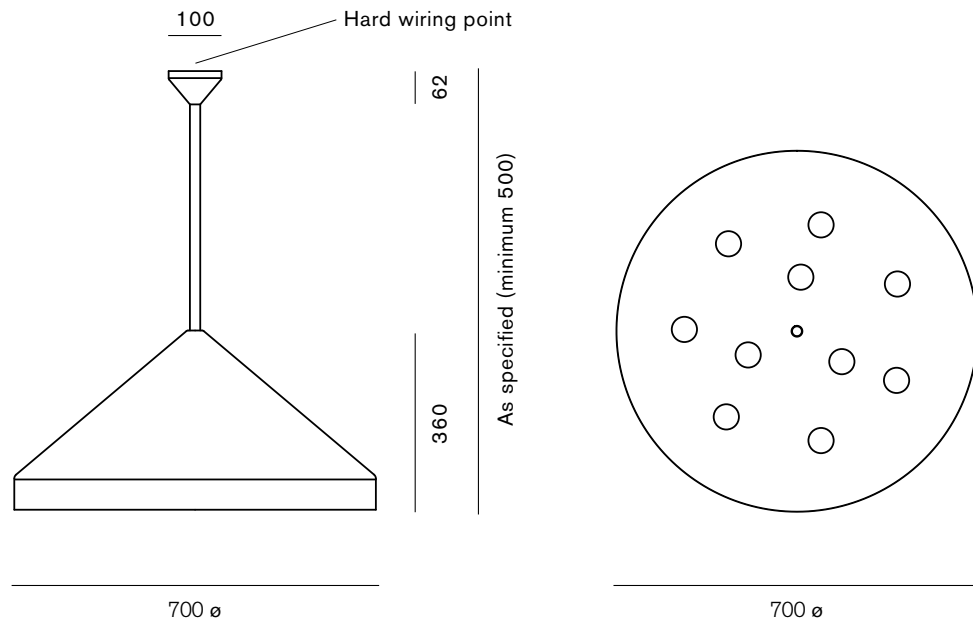


VOLKER HAUG Studio

Electric Ballroom Data Sheet

Electric Ballroom



Materials: Linished brass (interior) and steel (exterior)
Finishes: Satin lacquer (interior) and black powdercoat (exterior)
Suspension: As specified (minimum 500mm)
Lamp: E14 (pictured with L146 frosted LED) x 10

Each hand finished surface is unique and variations may occur.





Lamps included. Full product range
in the Volker Haug Studio Catalogue.
Please contact studio for additional
information on custom lengths,
arrangements and finishes.

Volker Haug Studio
2-12 St Phillip Street
Brunswick East
Melbourne VIC 3057 Australia

Phone +61 3 9387 1803
Email info@volkerhaug.com
www.volkerhaug.com