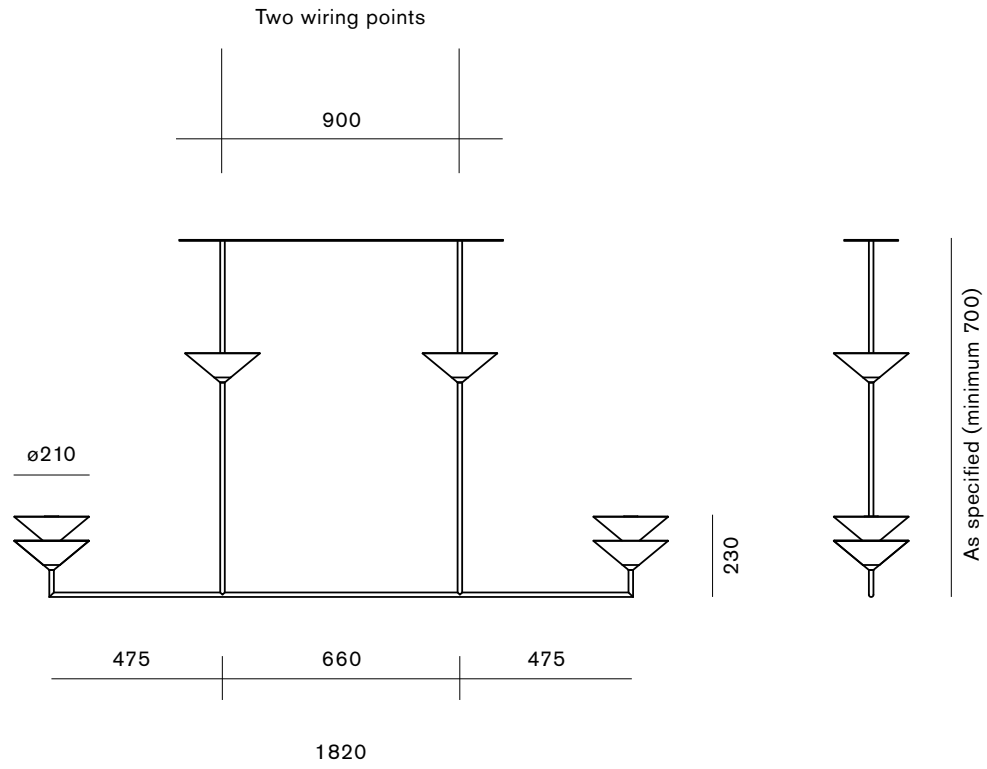


VOLKER HAUG Studio

PYRAMID SCHEME series Data Sheet

Balanced Stack



Material: Brass

Finishes: Polished, Brushed or Bronzed Brass; Enamel or Chrome Plated. Custom finishes available on request.

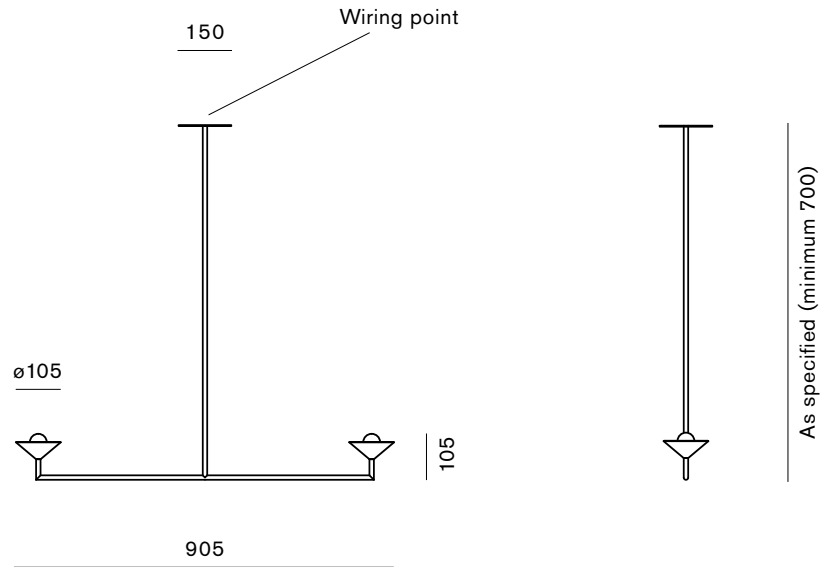
Lamp: 12V G4 LED x 18

Weight: approx 6kg

Power supply: 110V-240V, 12V driver supplied

Each hand finished brass surface is unique and variations may occur.

Double Drop



Material: Brass

Finishes: Polished, Brushed or Bronzed Brass; Enamel or Chrome Plated. Custom finishes available on request.

Lamp: 12V G4 LED x 2

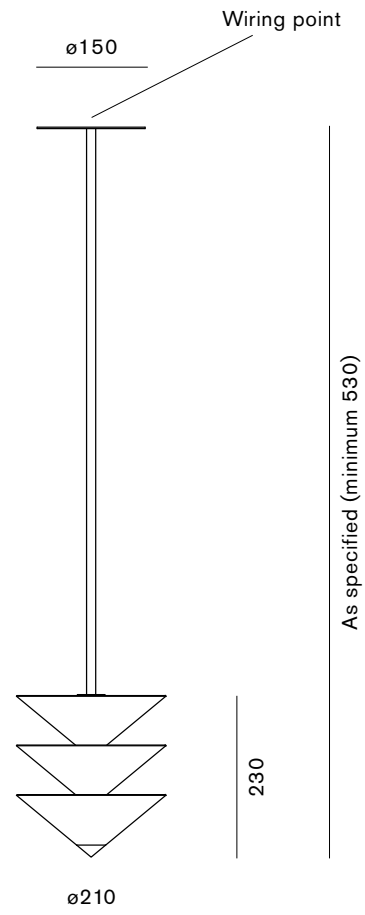
Weight: approx 2kg

Power supply: 110V-240V, 12V driver supplied

Each hand finished brass surface is unique and variations may occur.



Drop Stack 3



Material: Brass

Finishes: Polished, Brushed or Bronzed Brass; Enamel or Chrome Plated. Custom finishes available on request.

Lamp: 12V G4 LED x 9

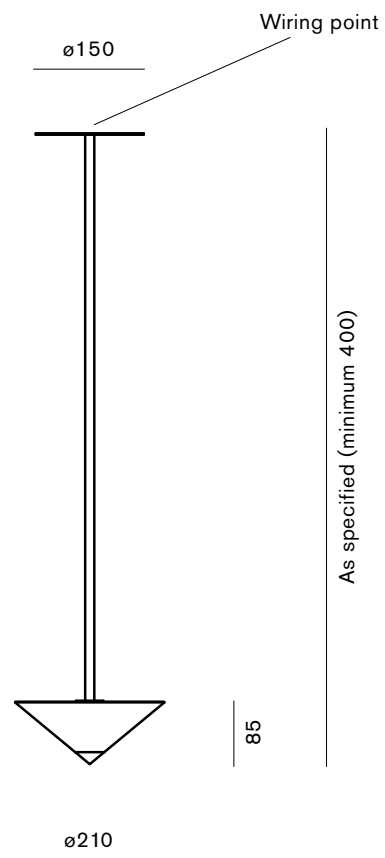
Weight: approx 3kg

Power supply: 110V-240V, 12V driver supplied

Each hand finished brass surface is unique and variations may occur.



Drop Stack 1



Material: Brass

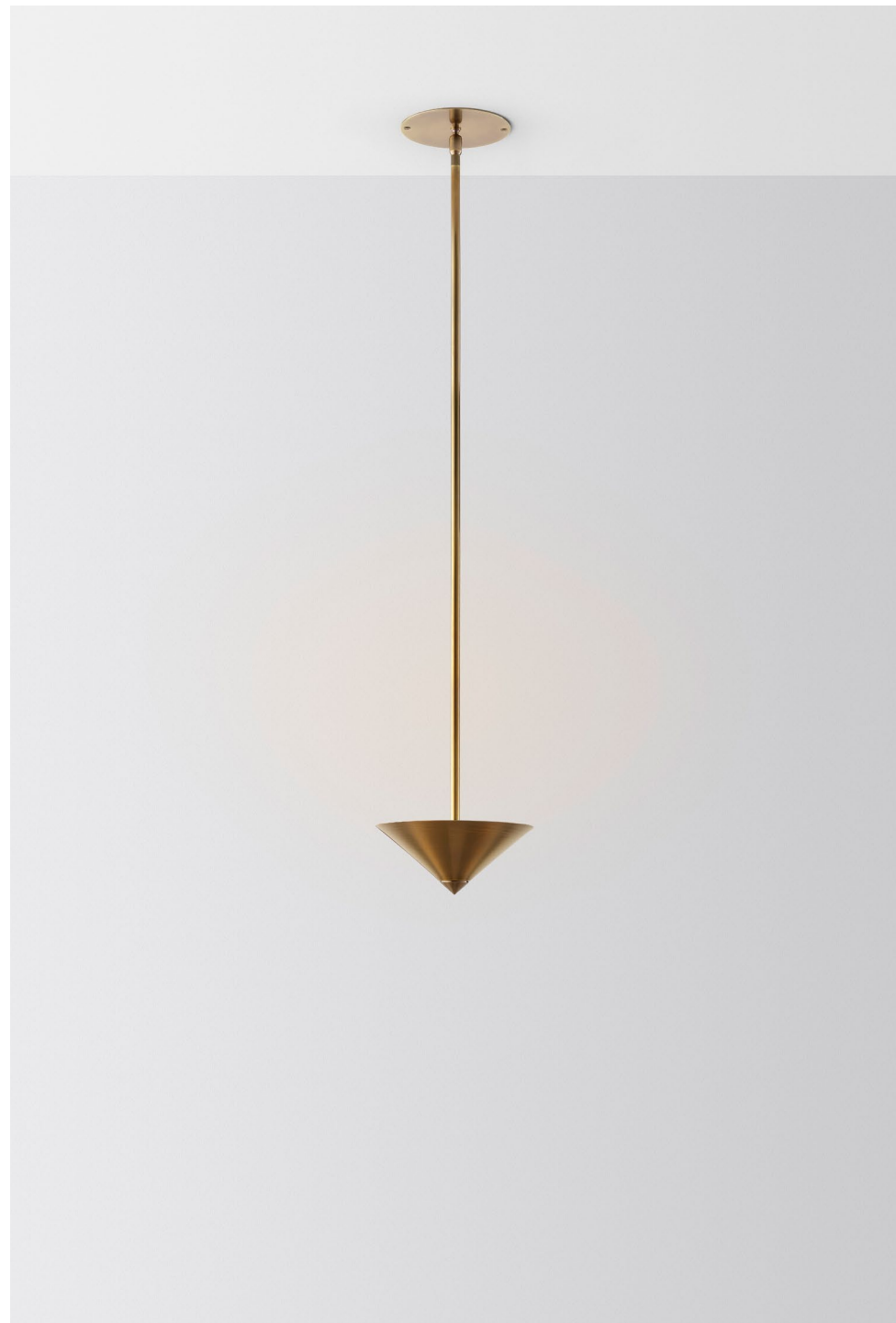
Finishes: Polished, Brushed or Bronzed Brass; Enamel or Chrome Plated. Custom finishes available on request.

Lamp: 12V G4 LED x 3

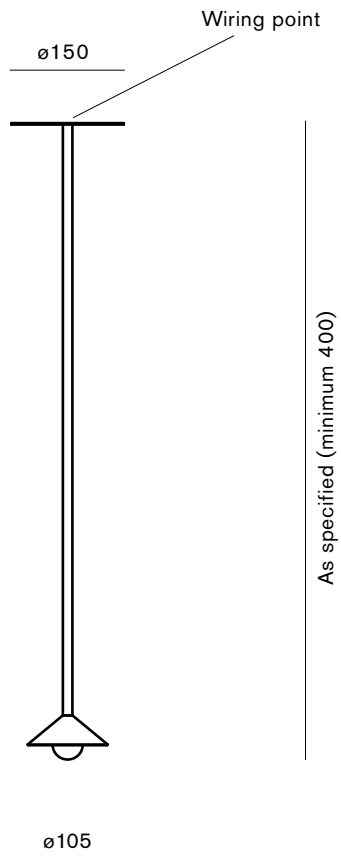
Weight: approx 2kg

Power supply: 110V-240V, 12V driver supplied

Each hand finished brass surface is unique and variations may occur.



Baby Drop



Material: Brass

Finishes: Polished, Brushed or Bronzed Brass; Enamel or Chrome Plated. Custom finishes available on request.

Lamp: 12V G4 LED x 1

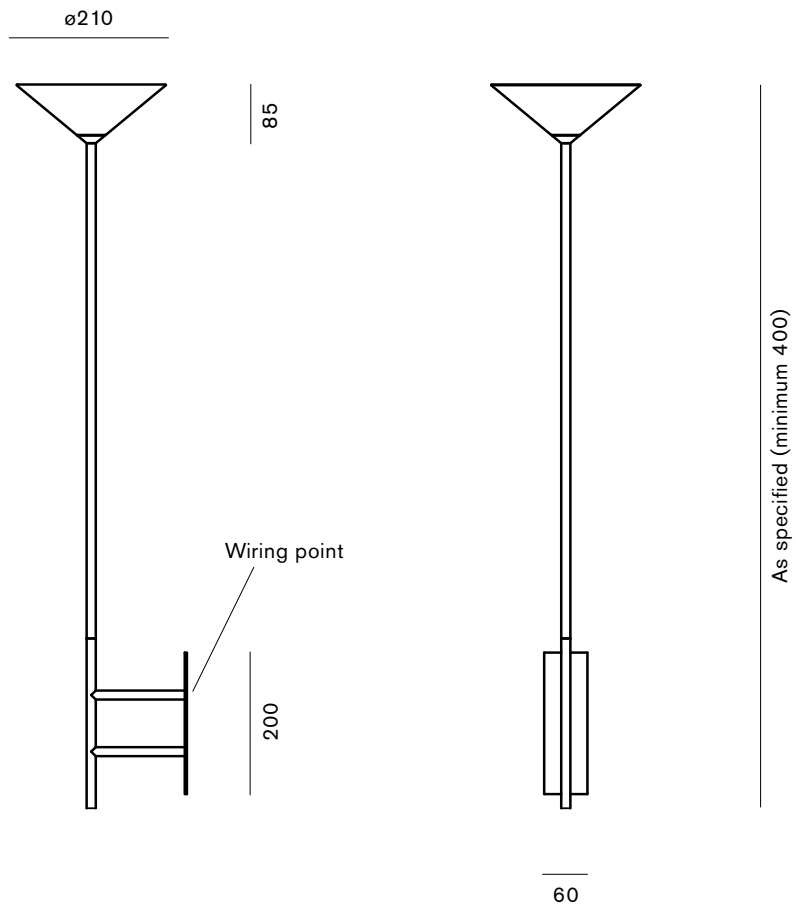
Weight: approx 1.5kg

Power supply: 110V-240V, 12V driver supplied

Each hand finished brass surface is unique and variations may occur.



Wall Stack Up



Materials: Polished, bronzed brass or steel

Finishes: Raw, satin lacquer, chrome plating or powdercoat

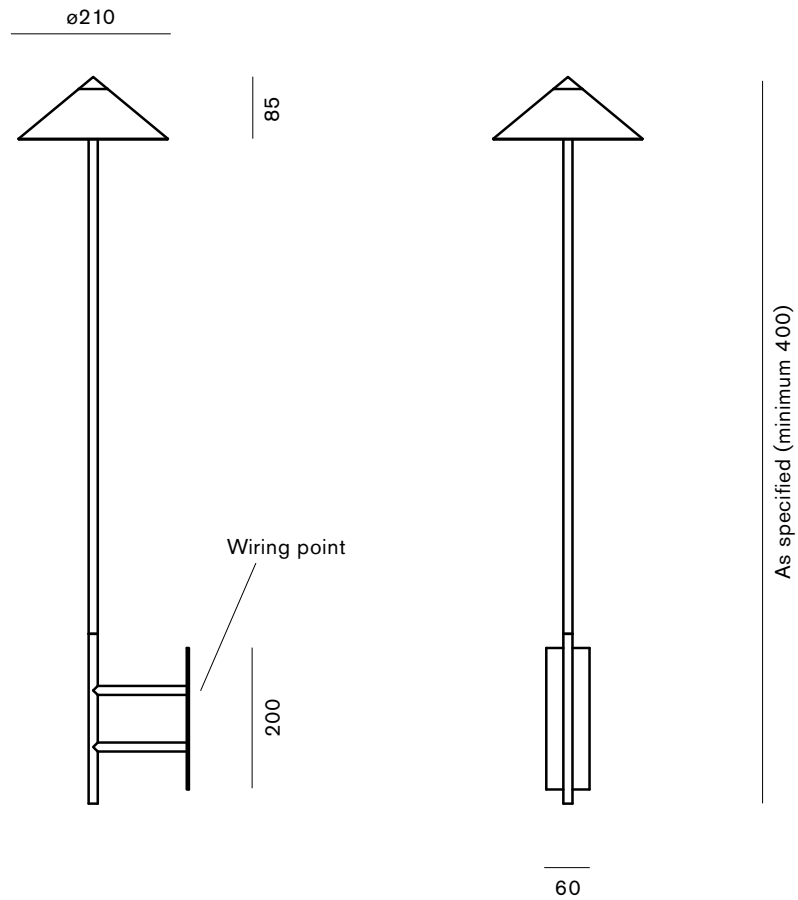
Lamp: 12V G4 LED Bi-pin x 3

Weight: approx 2.5kg

Power supply: 110V-240V, 12V driver supplied

Each hand finished brass surface is unique and variations may occur.

Wall Stack Down



Material: Brass

Finishes: Polished, Brushed or Bronzed Brass; Enamel or Chrome Plated. Custom finishes available on request.

Lamp: 12V G4 LED x 3

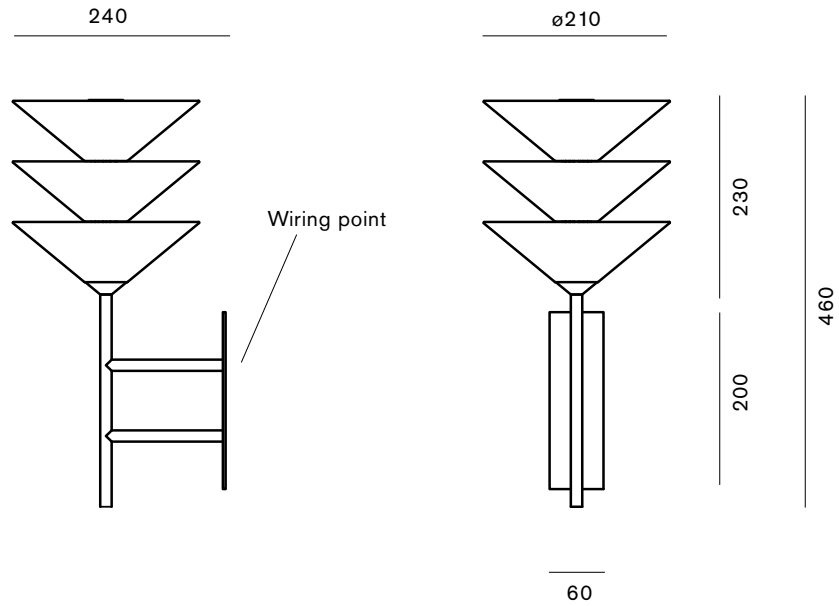
Weight: approx 2.5kg

Power supply: 110V-240V, 12V driver supplied

Each hand finished brass surface is unique and variations may occur.



Wall Stack 3



Material: Brass

Finishes: Polished, Brushed or Bronzed Brass; Enamel or Chrome Plated. Custom finishes available on request.

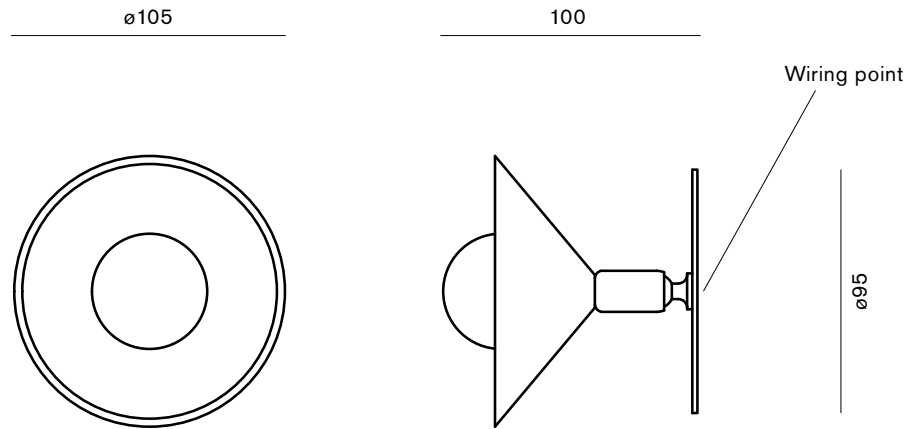
Lamp: 12V G4 LED x 9

Weight: approx 3kg

Power supply: 110V-240V, 12V driver supplied

Each hand finished brass surface is unique and variations may occur.

Baby Wall Swing



Material: Brass

Finishes: Polished, Brushed or Bronzed Brass; Enamel or Chrome Plated. Custom finishes available on request.

Lamp: 12V G4 LED x 1

Weight: approx 0.5kg

Power supply: 110V-240V, 12V driver supplied

Each hand finished brass surface is unique and variations may occur.





Lamps included. Full product range
in the Volker Haug Studio Catalogue.
Please contact studio for additional
information on custom lengths,
arrangements and finishes.

Volker Haug Studio
2-12 St Phillip Street
Brunswick East
Melbourne VIC 3057 Australia

Phone +61 3 9387 1803
Email info@volkerhaug.com
www.volkerhaug.com