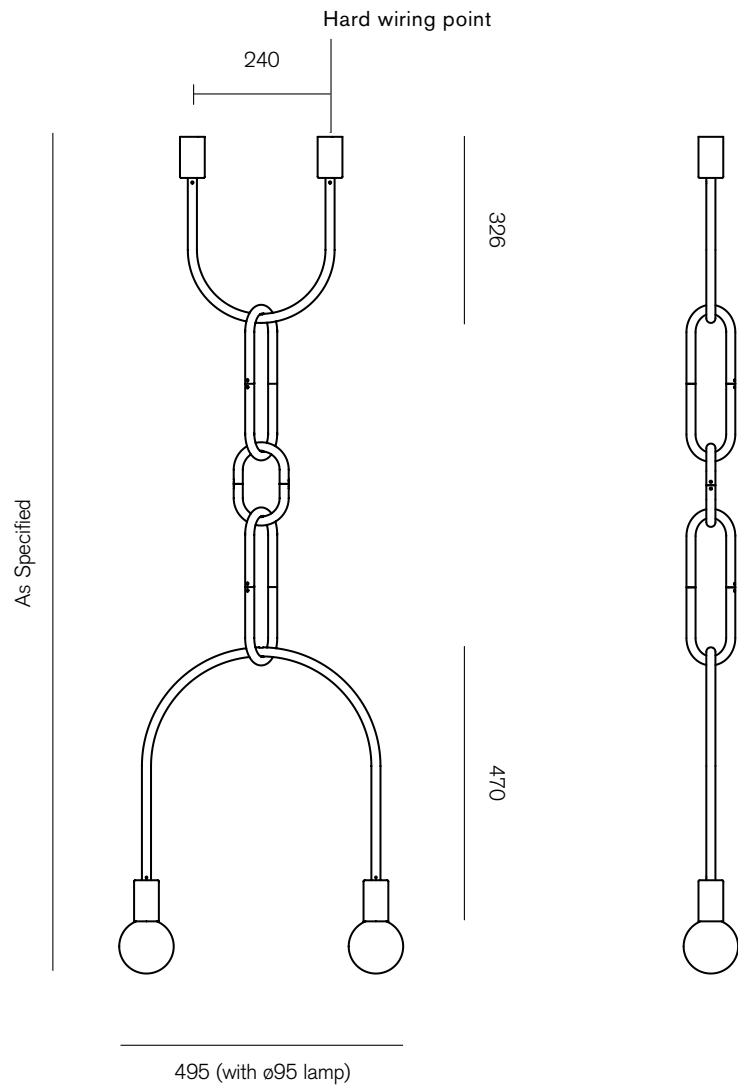


VOLKER HAUG Studio

U CHAIN series Data Sheet

Chain on U



Material: Polished or bronzed brass

Finish: Raw, satin lacquer

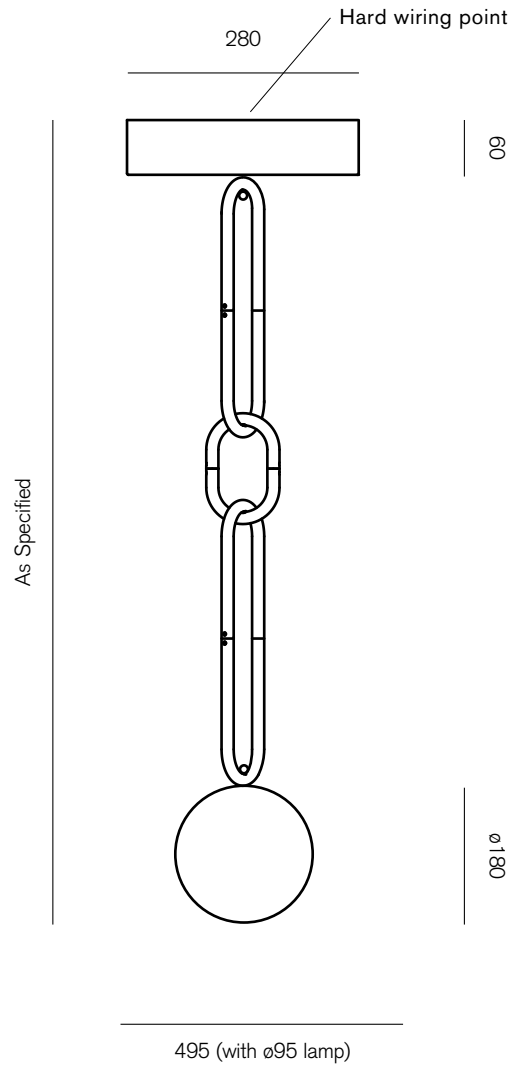
Lamp: 240V E27 (pictured with L087 95mm opal LED) x 2

Weight: approx 4kg

Each hand finished brass surface is unique and variations may occur.



Chain Chain Chain

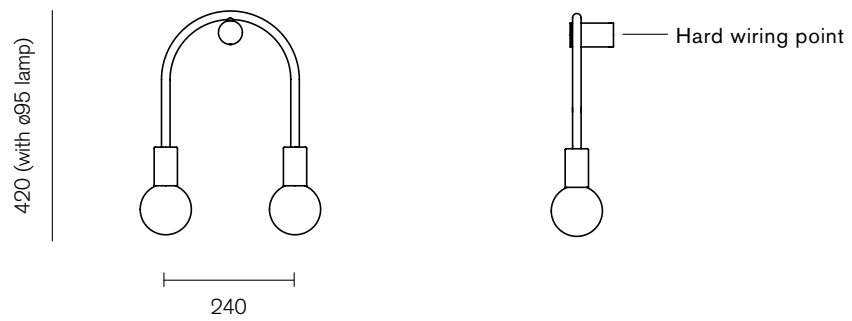
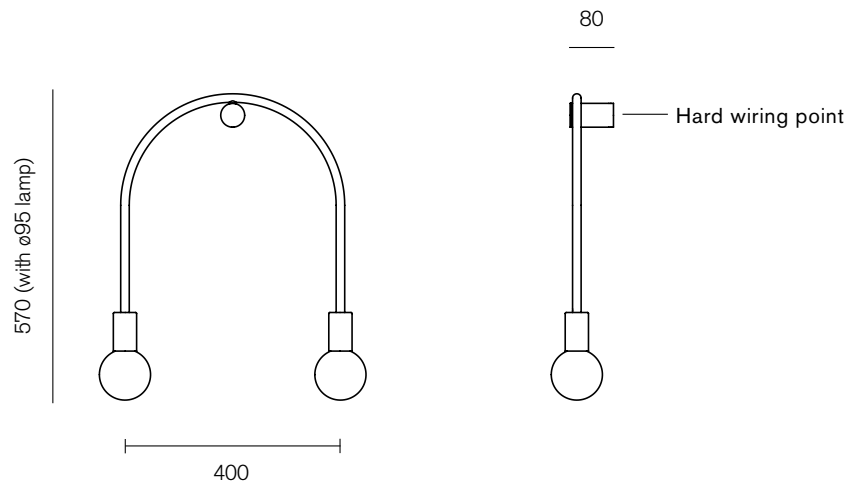


Material: Polished or bronzed brass
Finish: Raw, satin lacquer
Lamp: G9 - LED or Halogen 240V
Weight: approx 4kg

Each hand finished brass surface is unique and variations may occur.



Only U

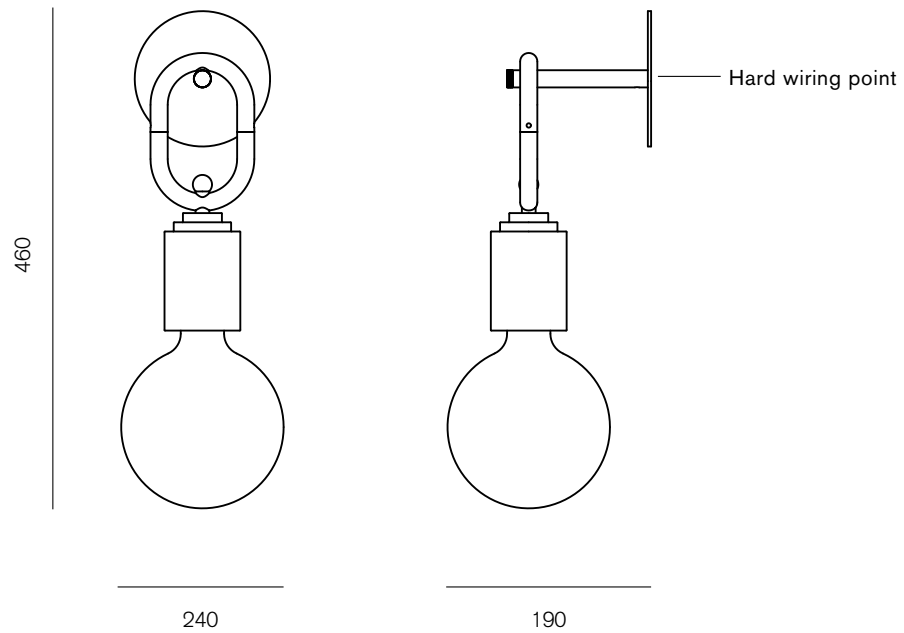


Material: Polished or bronzed brass
Finish: Raw, satin lacquer or enamel
Lamp: 240V E27 (120V E26 US) (pictured with L087 95mm opal LED) x 2
Weight: approx 1 kg (large, small)

Each hand finished brass surface is unique and variations may occur.



Missing Link



Material: Polished or bronzed brass
Finish: Raw, satin lacquer or enamel
Lamp: 240V E27 with ø150mm frosted lamp
Weight: approx 1kg

Each hand finished brass surface is unique and variations may occur.





Lamps included. Full product range
in the Volker Haug Studio Catalogue.
Please contact studio for additional
information on custom lengths,
arrangements and finishes.

Volker Haug Studio
2-12 St Phillip Street
Brunswick East
Melbourne VIC 3057 Australia

Phone +61 3 9387 1803
Email info@volkerhaug.com
www.volkerhaug.com